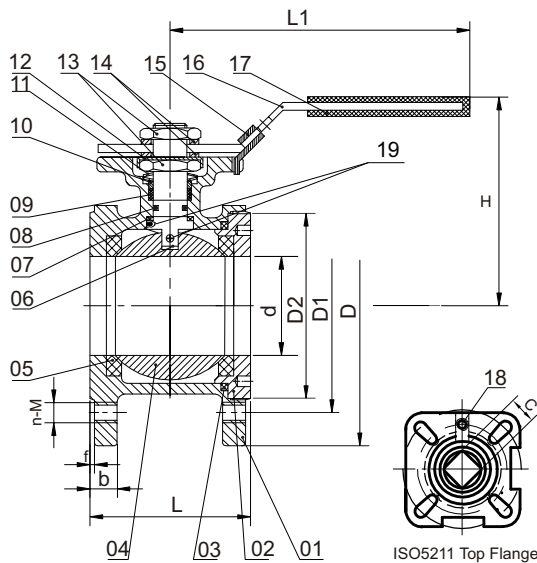


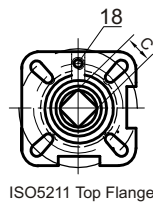


## V205 Wafer Type, Direct Mount Pad, Full Bore Flanged Ball Valves



Proval V203 Series ball valves are compact type short wafer body design with direct actuator mounting pad to allow easy actuation.

Proval V203 series ball valves are Bureau Veritas design approved and can be inspected in accordance with 3.1.C for use in marine applications



ISO5211 Top Flange

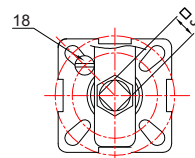
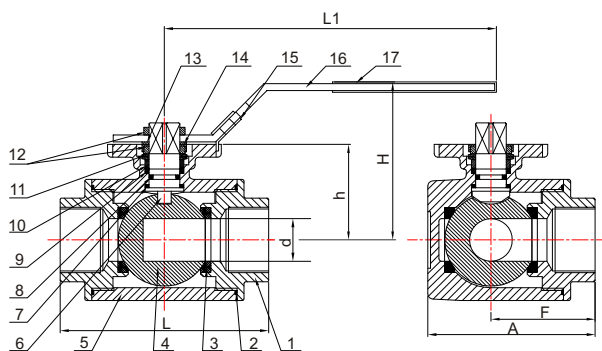
### Dimensions (mm)

Size (DN)	d	L	D	D1	D2	b	f	H	L1	C	ISO5211 Top Flange	n-M	Torque (N.m)	Weight (Kg)
15	15	36	95	65	45	12	2	70	115	9	F03	4-M12	5	1,11
20	20	38	105	75	58	12	2	78	115	9	F03	4-M12	8	1,48
25	25	50	115	85	68	12	2	90	160	11	F04/F05	4-M12	10	1,95
32	32	53	140	100	78	14	2	100	160	11	F04/F05	4-M16	14	3,10
40	40	65	150	110	88	15	3	105	200	14	F05/F07	4-M16	18	4,18
50	50	78	165	125	102	16	3	125	200	14	F05/F07	4-M16	25	5,37
65	65	98	185	145	122	16	3	140	155	17	F07/F10	4-M16	48	8,18
80	76	118	200	160	138	18	3	145	255	17	F07/F10	8-M16	75	11,92
100	94	140	220	180	158	18	3	175	300	17	F07/F10	8-M16	110	16,92

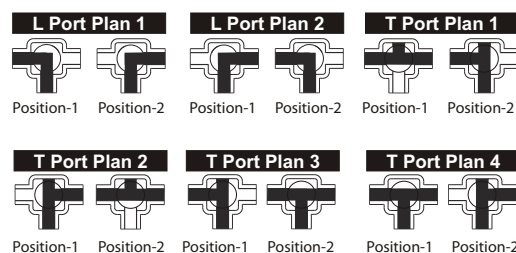
### Material List

No	Part Name	Material (AISI316)	Material (A216WCB)	Qty
1	Body	AISI316	WCB	1
2	Cap	AISI316	WCB	1
3	Body Gasket	PTFE	PTFE	1
4	Ball	AISI316	AISI316	1
5	Ball Seats	R-PTFE (%15)	R-PTFE (%15)	2
6	Stem	AISI316	AISI316	1
7	Washer	PTFE	PTFE	1
8	O-Ring	Viton	Viton	1
9	Stem Seat	PTFE	PTFE	1
10	Pressure Sleeve	AISI304	AISI304	1
11	Disc Spring	AISI301	AISI301	2
12	Nut Locking	AISI304	AISI304	1
13	Nut	AISI304	AISI304	2
14	Washer	AISI304	AISI304	2
15	Lever Locking	AISI304	AISI304	1
16	Lever	AISI304	AISI304	1
17	Lever Cover	Plastic	Plastic	1
18	Stopper Pin	AISI304	AISI304	1
19	Anti-Static Device	AISI316	AISI316	2

## V207 L / T Port , Direct Mount Pad, BSP Threaded End 3 Way Ball Valves



ISO5211 TOP FLANGE



Size (DN)	d	L	H	H1	F	A	J	ISO5211 Top Flange	Torque (N.m)	Weight(Kg)
1/4"	9,5	75	66	130	37,5	57,5	9	F03/F04	8	0,70
3/8"	11	75	66	130	37,5	57,5	9	F03/F04	8	0,67
1/2"	12	75	66	130	37,5	57,5	9	F03/F04	8	0,73
3/4"	15	85	72	161	42,5	65,5	11	F04/F05	9	0,94
1"	20	100	77	161	50	79	11	F04/F05	15	1,38
1-1/4"	25	122	92	203	61	97	14	F05/F07	20	2,89
1-1/2"	32	131	96	203	65,5	106,5	14	F05/F07	30	3,60
2"	40	158	107	203	79	129	14	F05/F07	45	6,21
2-1/2"	49	178	135	254	101	167	17	F07/F10	50	8,72
3"	60	202	147	254	101	167	17	F07/F10	80	12,81
4"	75	246	160	310	123	203	17	F07/F10	1100	21,60

### Material List

No	Part Name	Material	Qty
1	Body	AISI316	1
2	Ball	AISI316	1
3	Ball Seats	R-PTFE (%15)	2
4	Stem Seal	PTFE	1
5	Body Gasket	PTFE	2
6	Stem O-Ring	Viton	1
7	Packing	PTFE	1
8	Pressure Sleeve	AISI304	1
9	Nut	AISI304	1
10	Nut Locking	AISI304	1
11	Stem	AISI316	1
12	Disc Springs	AISI301	2
13	Washer	AISI304	4 (Max 12)
14	Nut	AISI304	4 (Max 12)
15	Bolt	AISI304	4 (Max 6)
16	Cap	AISI16	2

